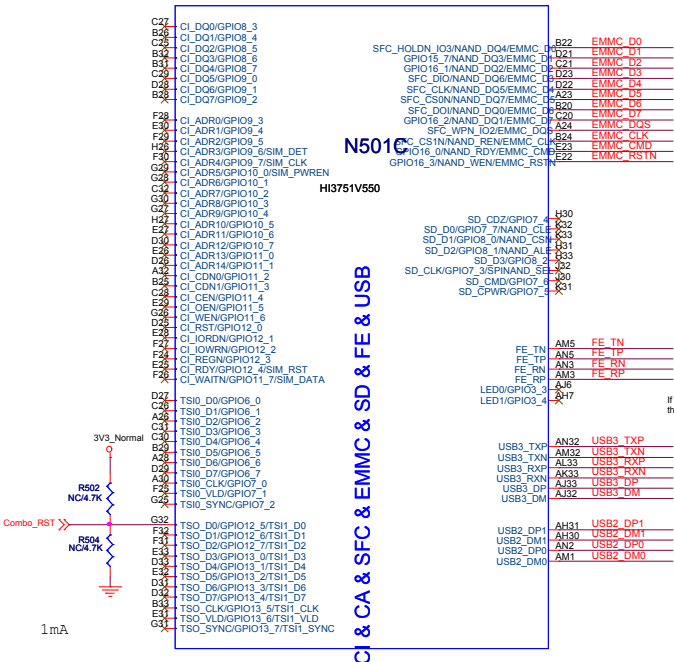


**KONKA**  
\*35023266  
2017-10-13  
REV-00

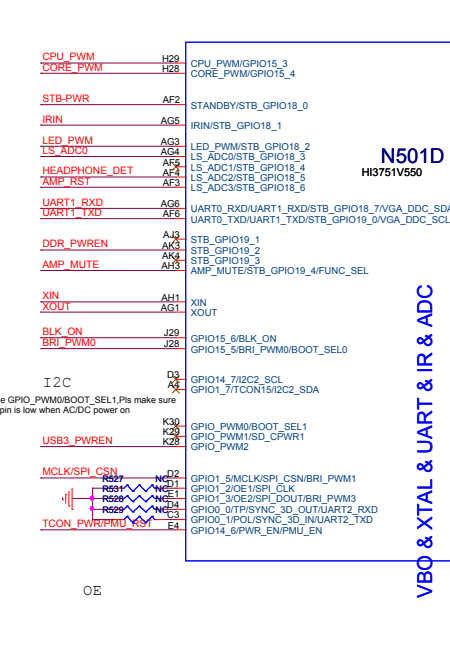
C265	10K
C276	10K
C281	10K
C282	10K
C283	10K
C284	10K
C285	10K
C286	10K
C287	10K
C288	10K
C289	10K
C290	10K
C291	10K
C292	10K
C293	10K
C294	10K
C295	10K
C296	10K
C297	10K
C298	10K
C299	10K
C300	10K
C301	10K
C302	10K
C303	10K
C304	10K
C305	10K
C306	10K
C307	10K
C308	10K
C309	10K
C310	10K
C311	10K
C312	10K
C313	10K
C314	10K
C315	10K
C316	10K
C317	10K
C318	10K
C319	10K
C320	10K
C321	10K
C322	10K
C323	10K
C324	10K
C325	10K
C326	10K
C327	10K
C328	10K
C329	10K
C330	10K
C331	10K
C332	10K
C333	10K
C334	10K
C335	10K
C336	10K
C337	10K
C338	10K
C339	10K
C340	10K
C341	10K
C342	10K
C343	10K
C344	10K
C345	10K
C346	10K
C347	10K
C348	10K
C349	10K
C350	10K
C351	10K
C352	10K
C353	10K
C354	10K
C355	10K
C356	10K
C357	10K
C358	10K
C359	10K
C360	10K
C361	10K
C362	10K
C363	10K
C364	10K
C365	10K
C366	10K
C367	10K
C368	10K
C369	10K
C370	10K
C371	10K
C372	10K
C373	10K
C374	10K
C375	10K
C376	10K
C377	10K
C378	10K
C379	10K
C380	10K
C381	10K
C382	10K
C383	10K
C384	10K
C385	10K
C386	10K
C387	10K
C388	10K
C389	10K
C390	10K
C391	10K
C392	10K
C393	10K
C394	10K
C395	10K
C396	10K
C397	10K
C398	10K
C399	10K
C400	10K



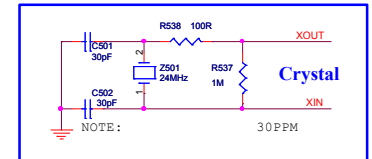
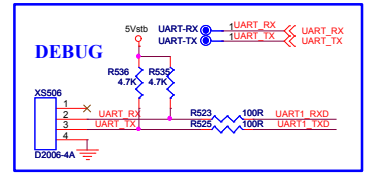
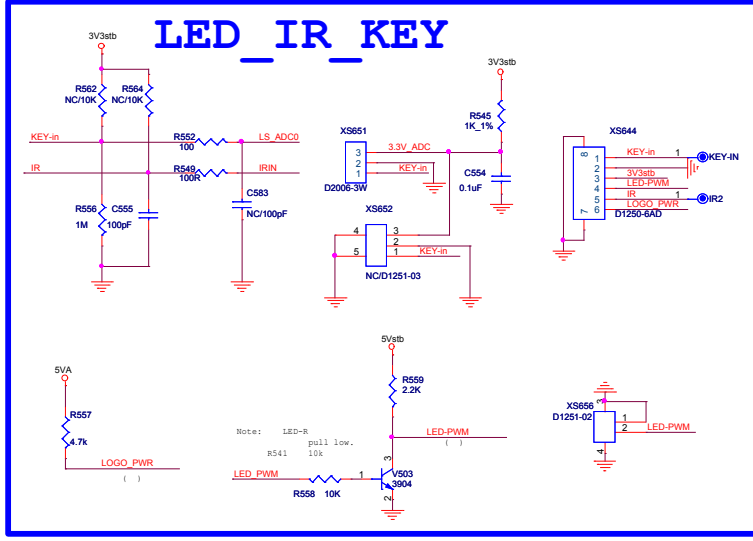
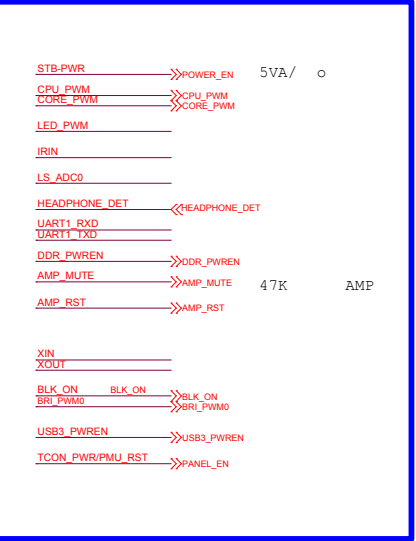
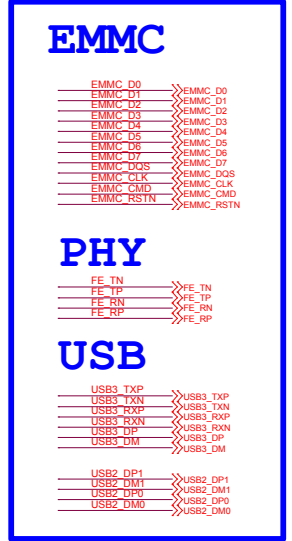
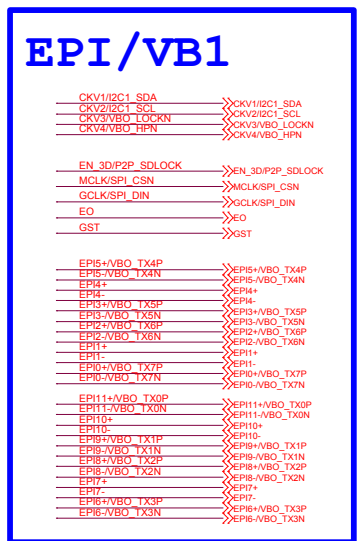
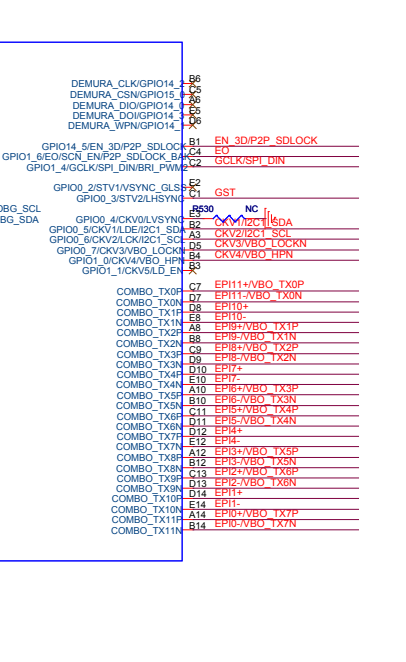




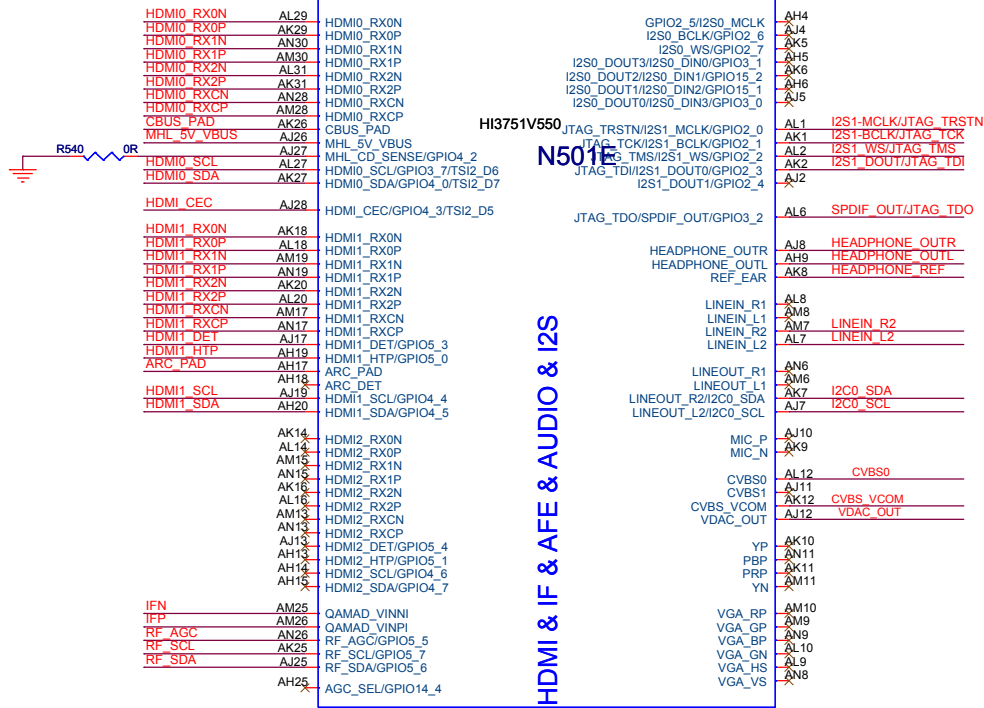
CI & CA & SFC & EMMC & SD & FE & USB



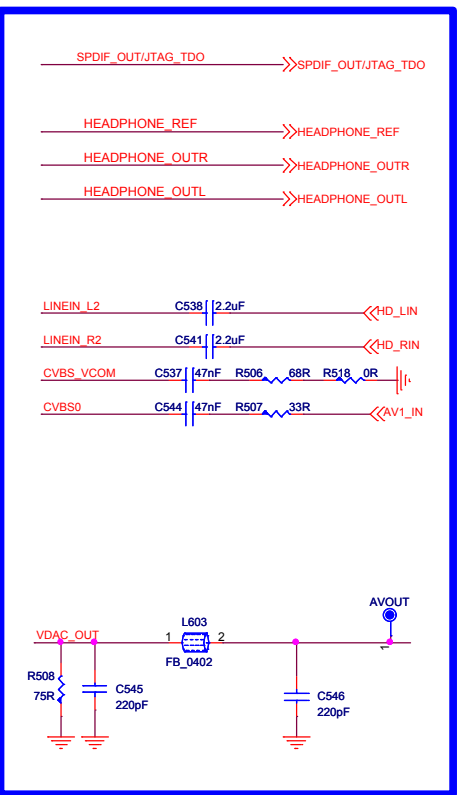
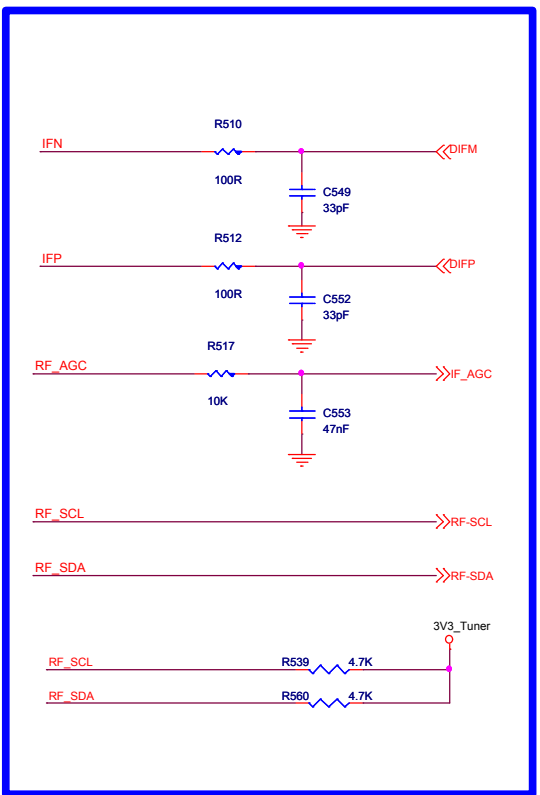
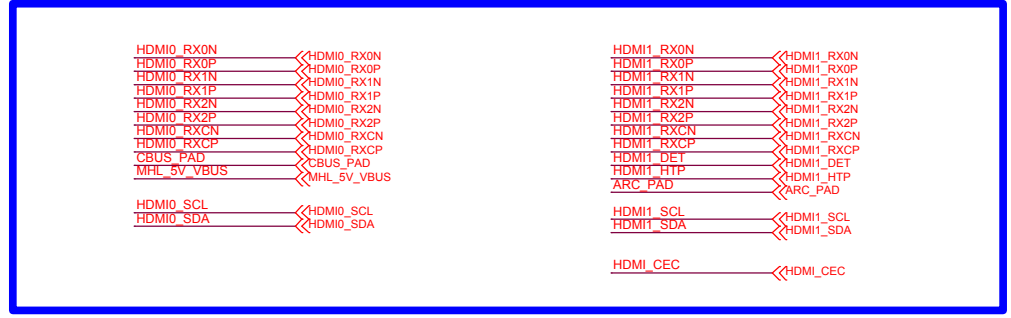
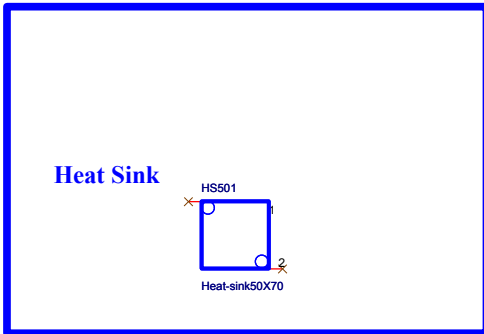
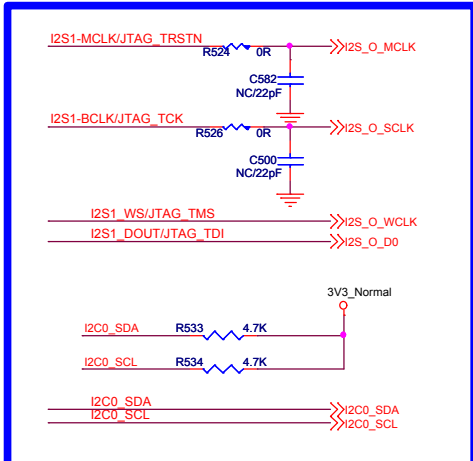
VBO & XTAL & UART & IR & ADC



# Unit 2 of Hi3751V551(HDMI/IF/AFE/AUDIO/I2S)

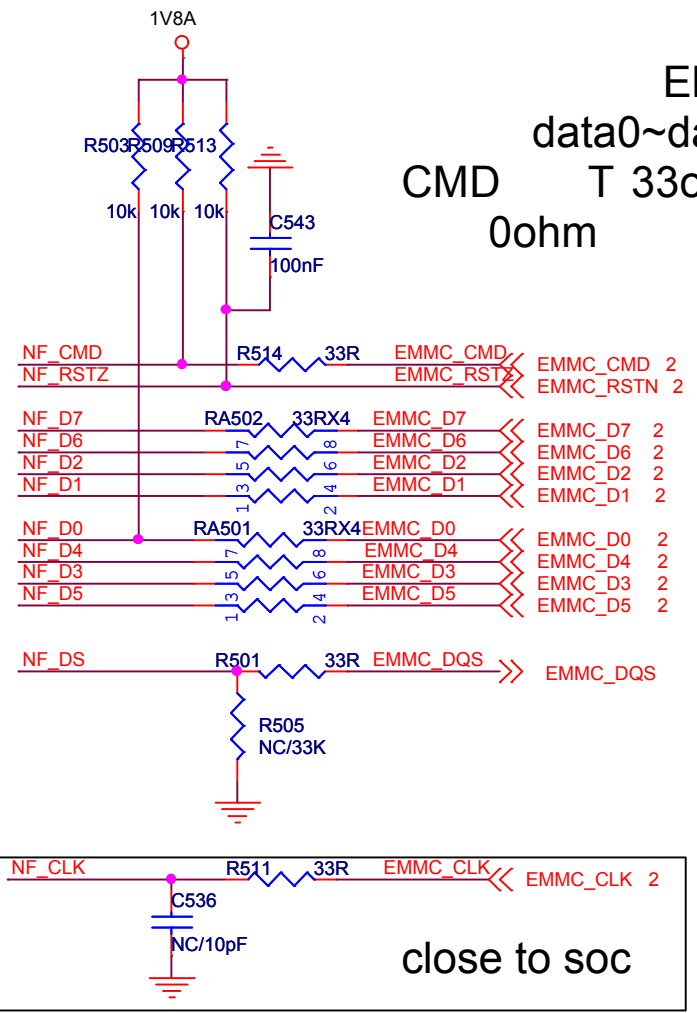
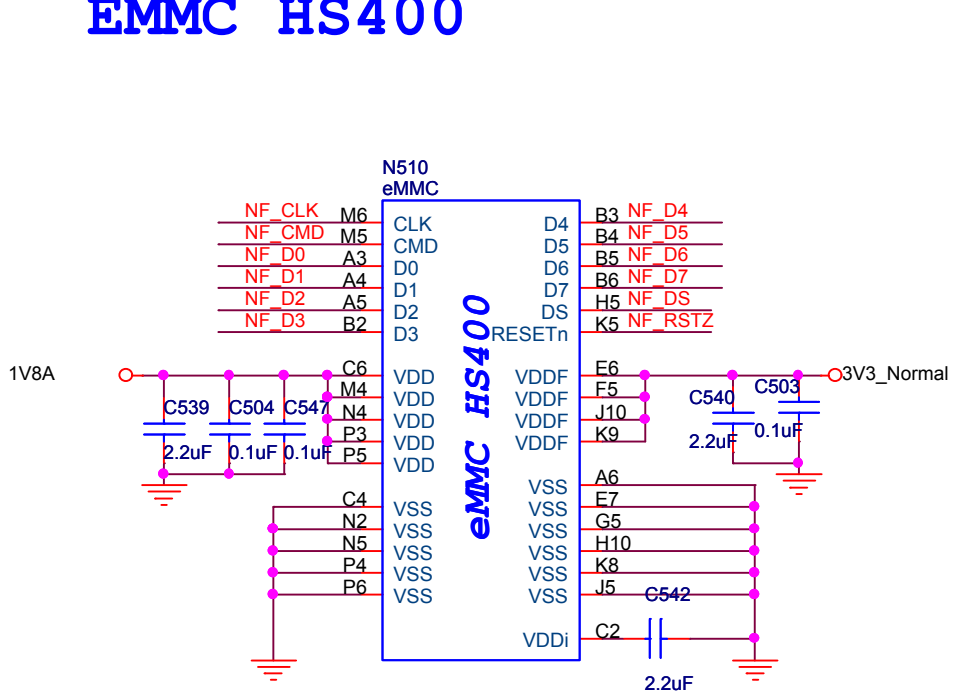


## HDMI & IF & AFE & AUDIO & I2S

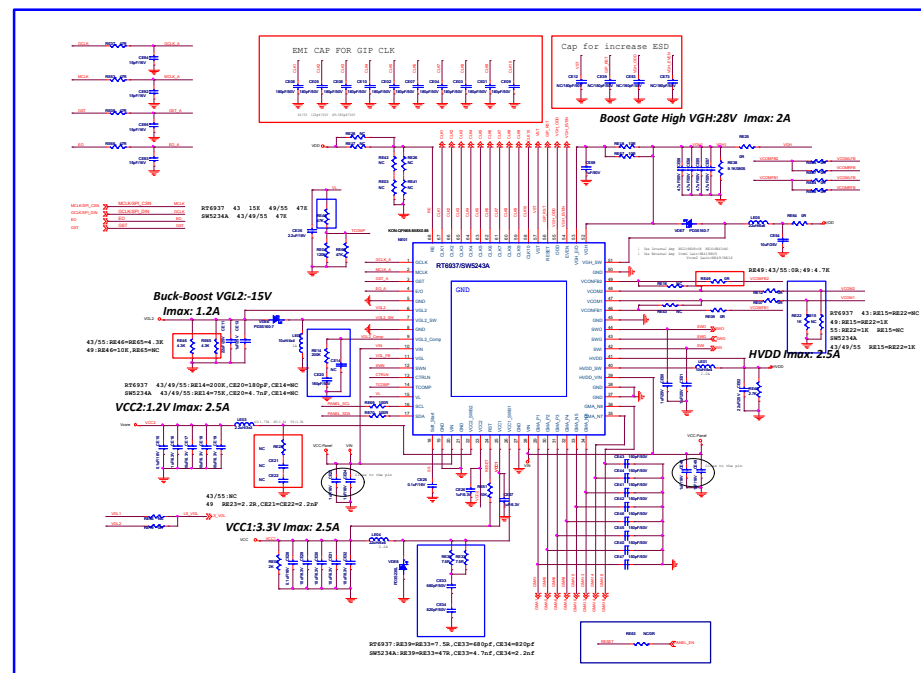
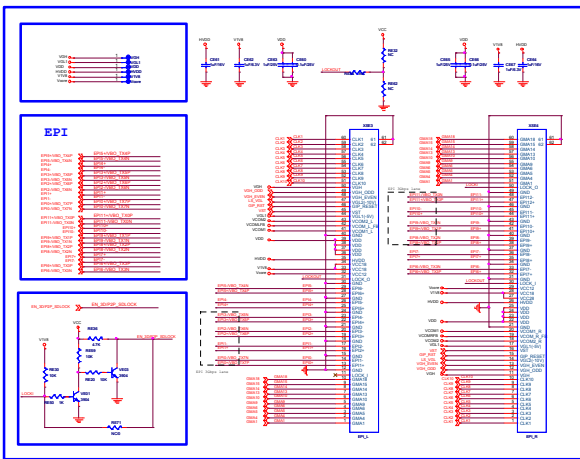




# EMMC HS400



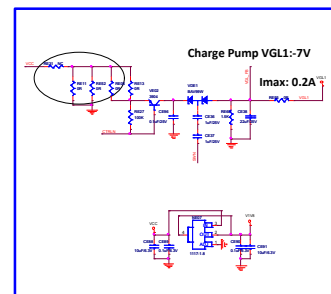
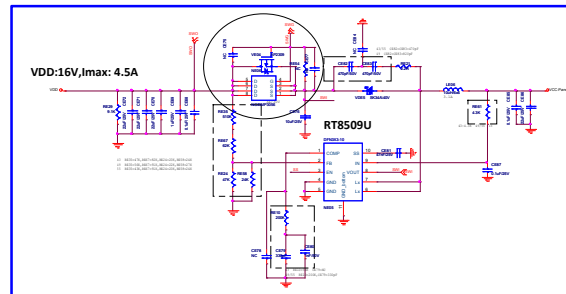
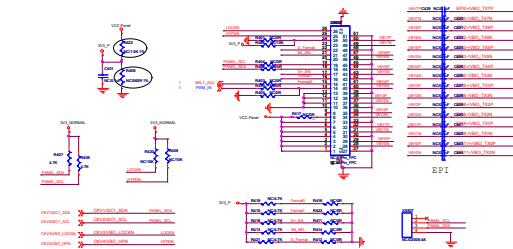




VBy1 LG/LG+/CMI/Samsung/A00

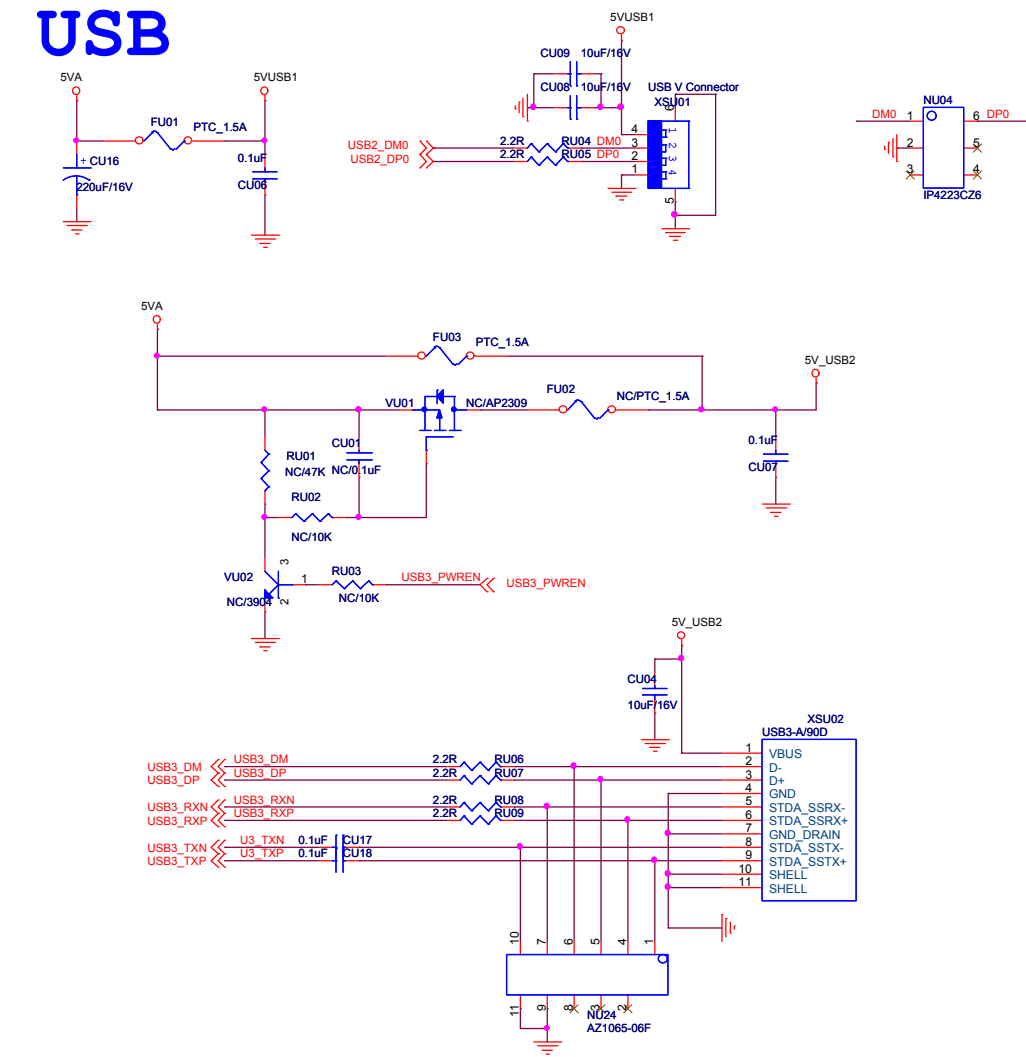
3.75Gbps

201ff+100 Ohm

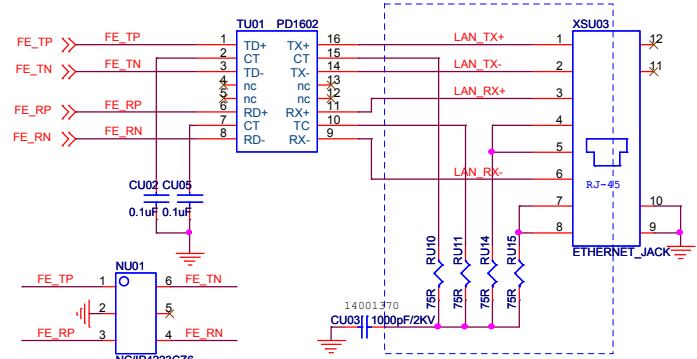




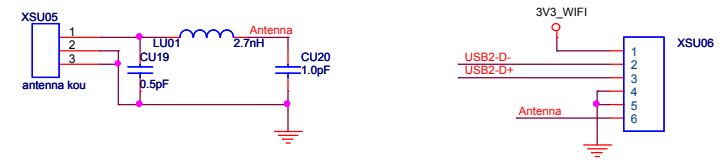
# USB



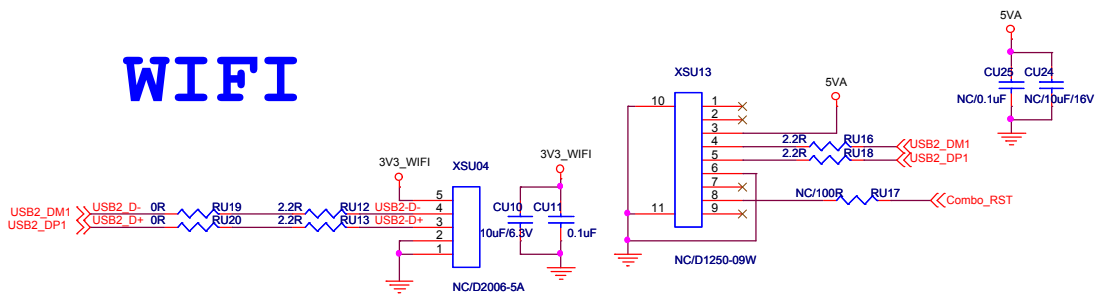
# Ethernet



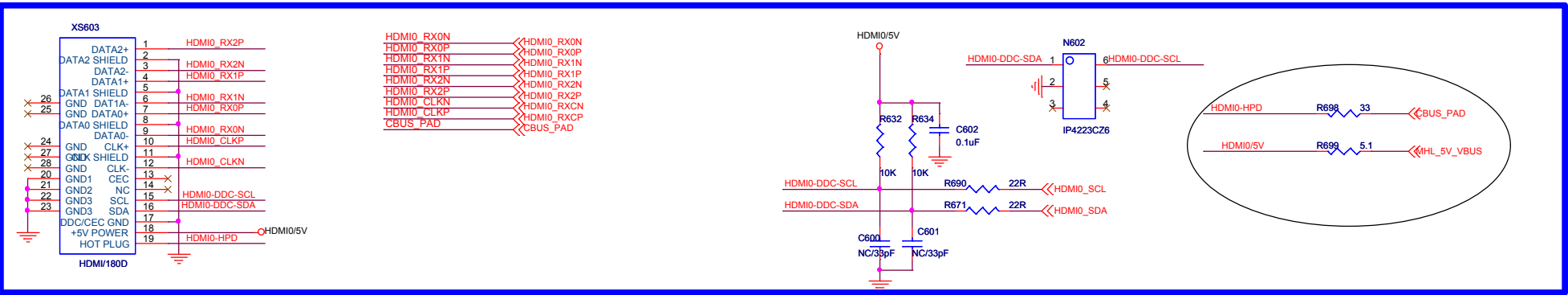
# WIFI ON BOARD



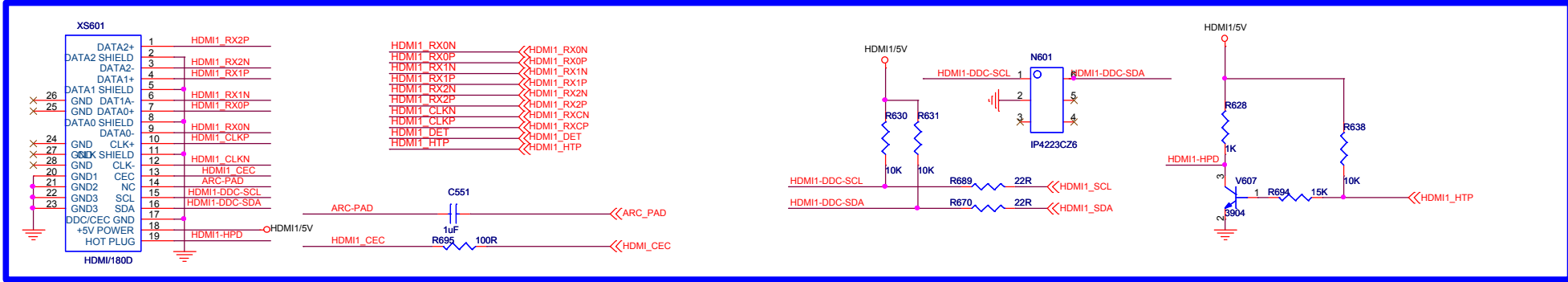
# WIFI



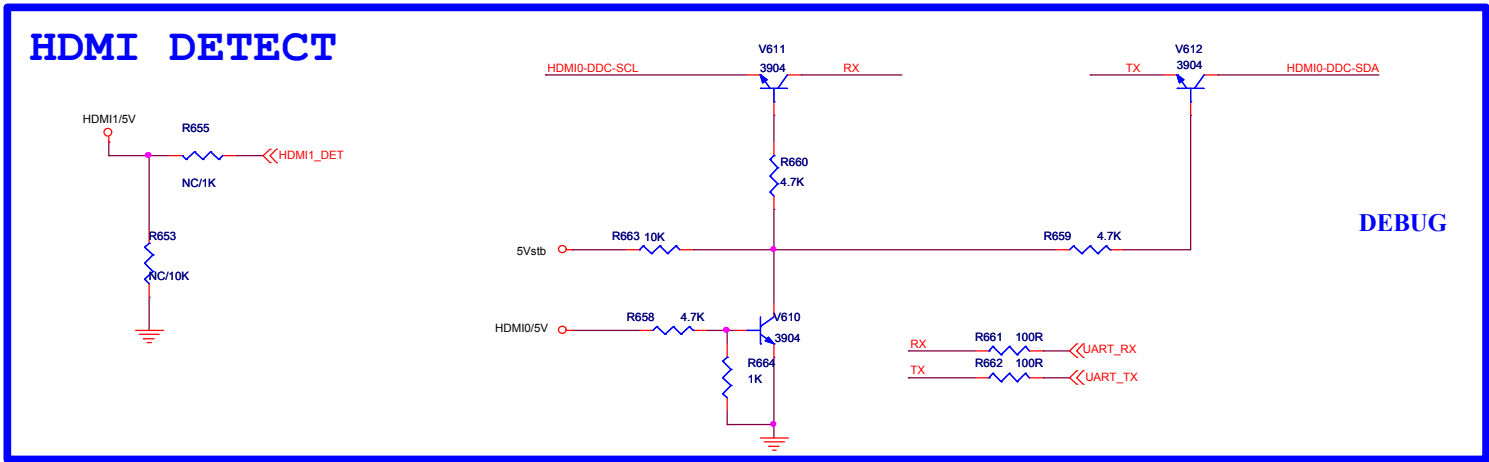
# HDMI 0



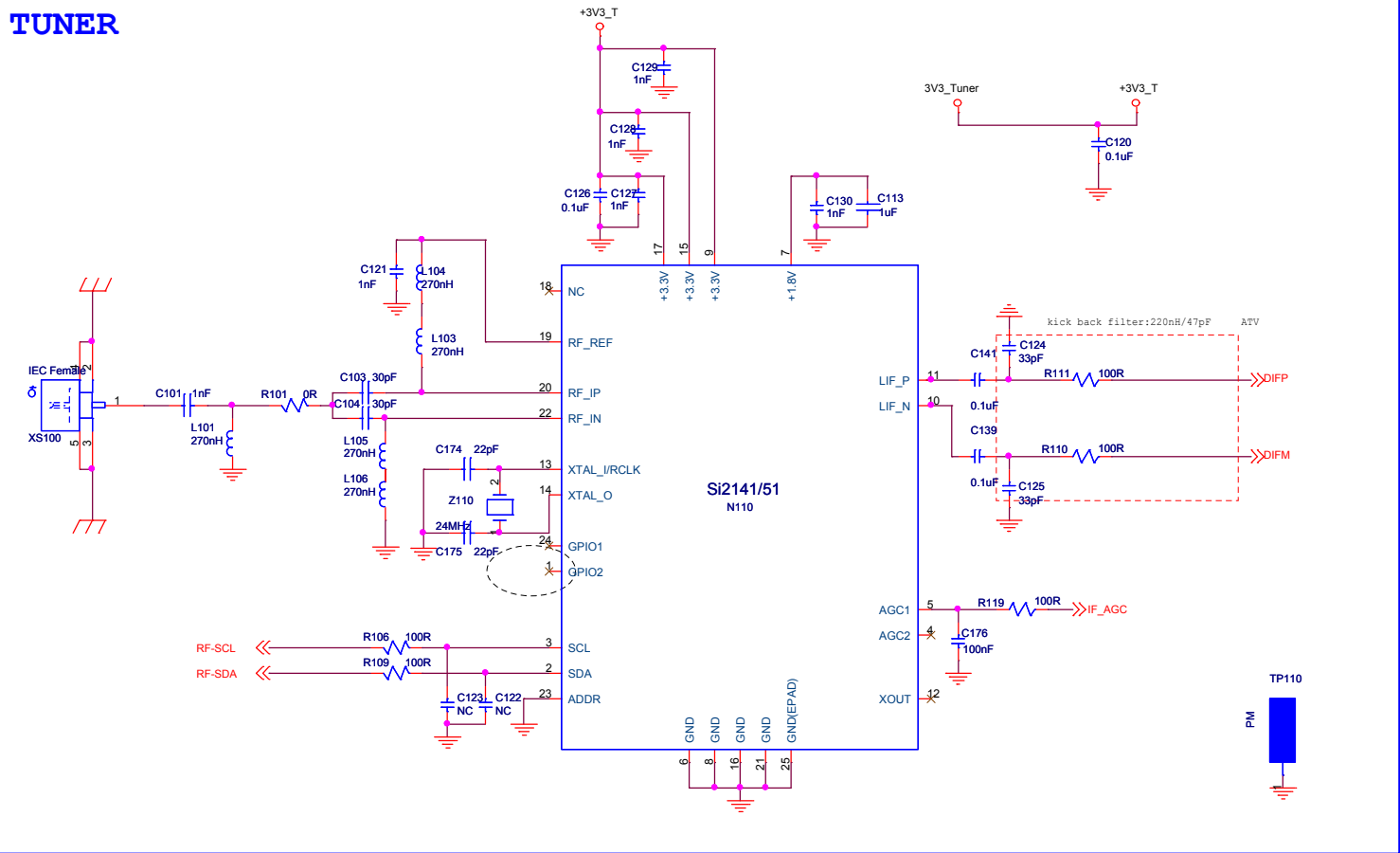
# HDMI 1



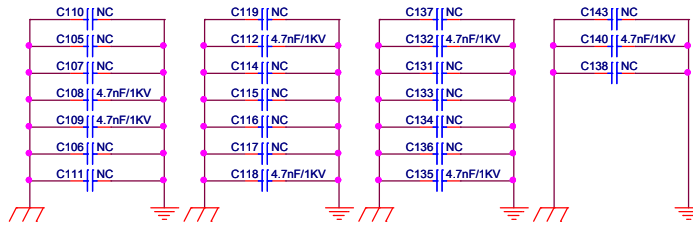
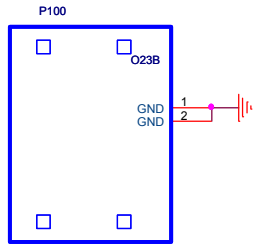
# HDMI DETECT



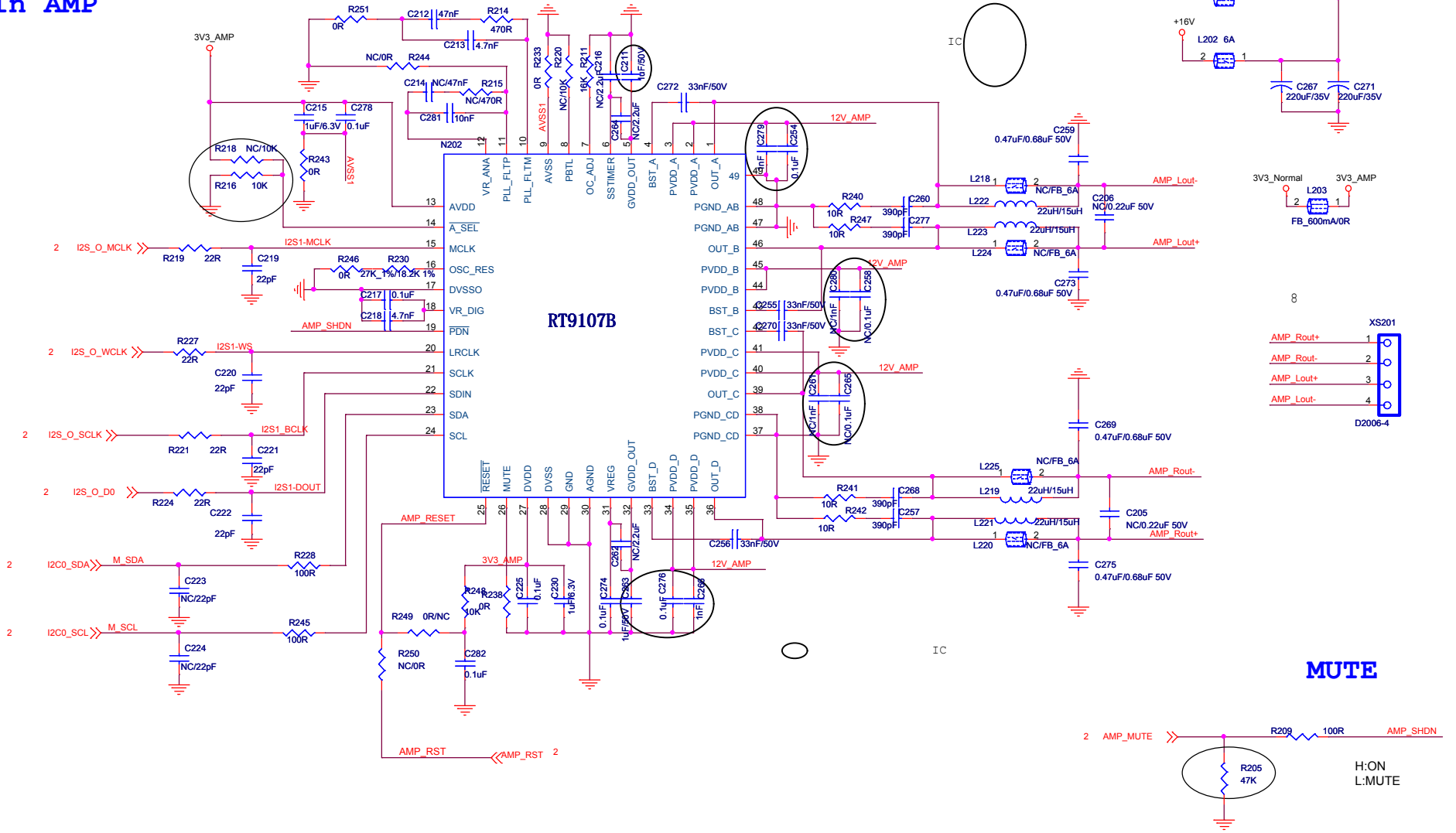
# TUNER



## 内置隔离



# Main AMP



				<b>12. Amplify</b>
				12